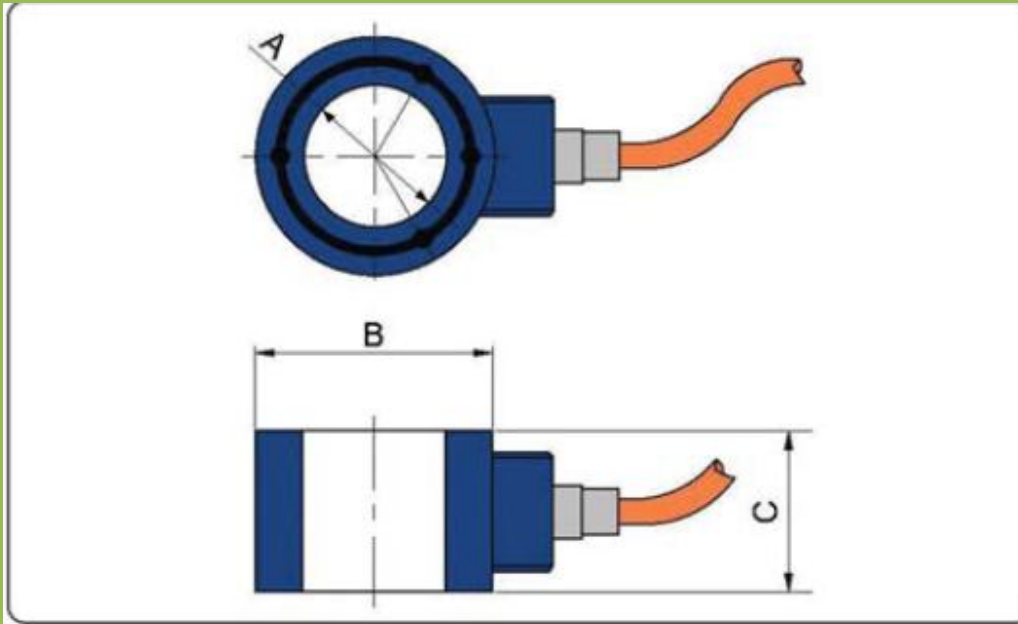




ADHAR INSTRUMENTS & SERVICES



Vibrating Wire Load Cell

VW Load Cell (AIS-1200)

Adhar Instruments & Services make, model AIS-1200 VW load cells are attached with VW strain gage divided into 3-6 equal parts in the pipe hole of cylindrical shape cell that is processed mechanically with alloyed steel. And solid type VW load cells are equipped with VW strain gage divided into 3-6 equal parts in the cell processed with cylindrical shape without centre hole. It is used with principle that when load operates in cell, tension of VW gage is changes.

When load applied on the cell, change in tension of the gages causes change in the frequency that is induced by a plucking coil. The average of the readings from the cells represents the mean load on the anchor, minimizing the effects of eccentric loading.

APPLICATIONS

Tunnelling • Deep excavations.
Mines, underground activities

2015

Advantages:

- ◆ Accurate, robust, high resolution and good long term stability.
- ◆ Capable of withstanding thermal shock without defeating performance.
- ◆ Free from signal effect due to cable length.
- ◆ Suitable for Base Support

Specification:

- Range: 10, 20, 30, 50, 100, 150, 200, 300 Tonne
- Sensor element Vibrating wire sensor
- Safe overload 120% FSR
- Resolution 0.025% FSR
- Accuracy 0.1% FSR 0.5% FSR
- Nonlinearity 0.5% FSR
- Operating Temperature: -20 to 70°C