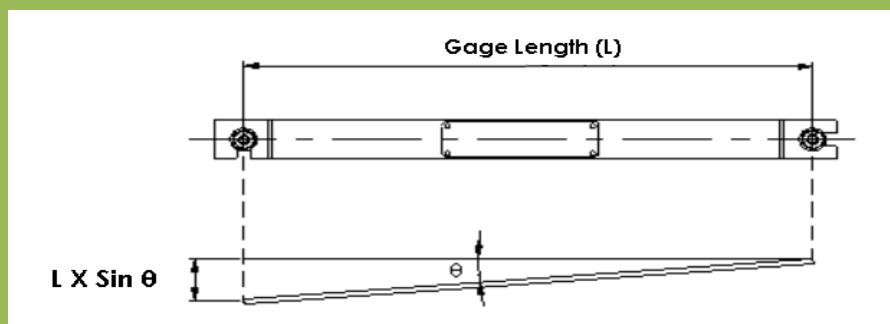
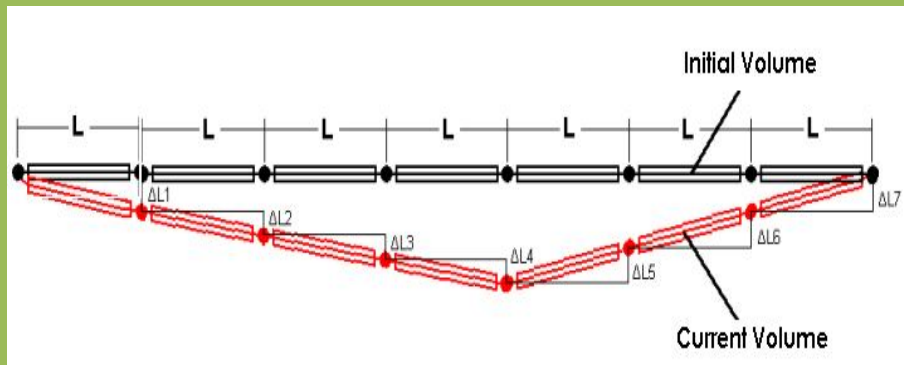




ADHAR INSTRUMENTS & SERVICES



Foundation Settlement Monitoring System

Foundation Settlement Monitoring System AIS-2050

This system provides continuous settlement readings along a line that is more or less horizontal. It is thus eminently suitable for monitoring settlement beneath embankment on soft ground, open foundation for structures or foundation of storage tank.

Application:

Monitor settlement or heave under embankment, dunes, roadways, storage tank and land fill.

Features:

- Increase productivity
- High accuracy
- High Reliability
- Ease in automation
- Continuous monitoring

2017

Specifications:

Parameters	Values
Sensor	Solid State MEMS Sensor
Measuring Range	$\pm 15^\circ$, $\pm 30^\circ$, $\pm 60^\circ$
Output Signal	500mV to 4500mV
Input Voltage	7-30V DC
Accuracy	$\pm 0.1^\circ$
Resolution	0.05°
Operating Temperature	-20°C to +80°C
Operating Current	15mA
Output Impedance	100Ω
Gauge Length	1m, 2m, 3m

